

PERSONA



INFO@ESTUDIOPERSONA.COM



WWW.ESTUDIOPERSONA.COM



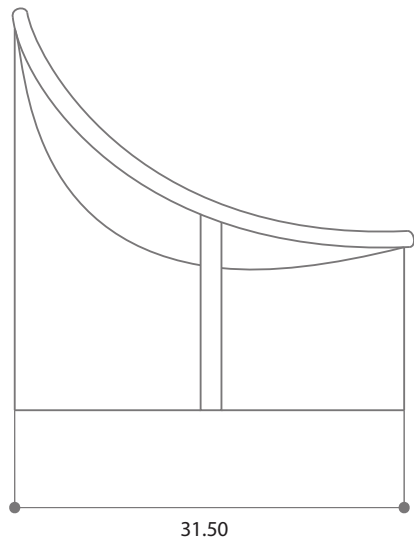
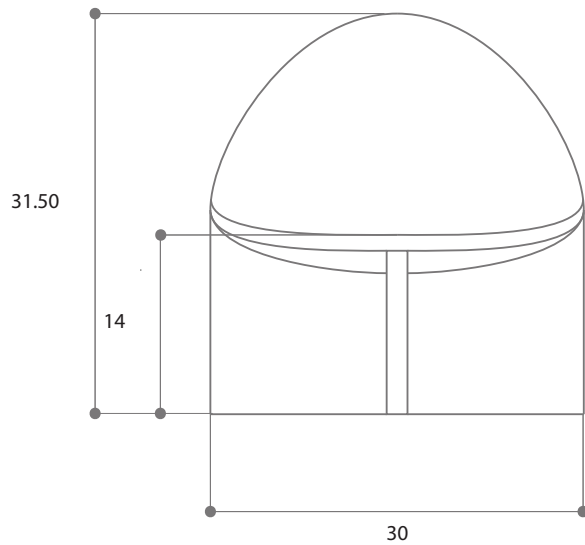
White Oak
Olive Suede



White Oak
Cognac Leather



Oiled Walnut
Black Leather



NIDO CHAIR

The Nido Chair explores the connection between form and comfort. Its wooden base supports a curved, upholstered seat, creating a seamless balance between structure and softness. Customizations available upon request. Available in COM (Customer's Own Material) and COL (Customer's Own Leather).

PRODUCT SPECIFICATIONS

MATERIALS	Solid Wood Base Laminated Wood Seat Foam Leather or Suede
DIMENSIONS	30 W 31.5 D 31.5 H in 76 W 80 D 80 H cm
WEIGHT	49 lbs 22 kg
FABRIC REQUIREMENTS	COM 2 yards COL 35 sq ft Swatch required for approval
SHIPPING	Worldwide shipping Quotes upon request

Handmade in Los Angeles
Every effort is made to ensure an accurate representation of product colors, finishes, and dimensions; however, due to the handmade nature of this product, slight variations may occur. Color swatches are provided for reference only. Estudio Persona cannot guarantee an exact color match for any product finishes. All designs are protected under copyright law. Estudio Persona holds the exclusive manufacturing and distribution rights worldwide. Unauthorized copying will be prosecuted.

MATERIALS AND FINISHES



White Oak

Black Stained Ash

Walnut

Oiled Walnut

Please note:

-White Oak, Walnut and Black Stained Ash products are treated with a water-based clearcoat to provide an additional layer of surface protection.

-Oiled Walnut products are treated with an oil-based clearcoat to ensure continued protection and preserve the natural finish of the wood.



Cognac Leather

Black Leather

Olive Suede

Please note:

Natural materials will come with peculiarities and develop a characteristic patina over time.

CLEANING INSTRUCTIONS

Wood

Carefully clean the surface using a soft, lint-free cloth lightly dampened with clean water to remove any marks. Once cleaned, promptly dry the wood with a soft cloth to avoid streaking or surface damage.

Leather

To prevent fingerprint marks, always handle items while wearing gloves. If the leather item presents stains or dirt, first remove any loose debris using a dry, soft-bristled brush. Then, use a lightly dampened cloth with distilled or bottled water to clean the surface. Ensure that cleaning is performed with smooth, continuous motions across the entire surface, avoiding excessive focus on any single area to maintain a uniform appearance.

Suede

If the suede item presents stains or dirt, remove any loose debris using a dry, soft-bristled brush soft bristled brush to remove loose debris from the surface of the leather. Avoid using water directly on suede, as it can stain or harden the texture.